

85SMX AUTO

ISSUE 2; 1 NOVEMBER 2010 - RoHS 2002/95/EC

Description

- Plastic encapsulated surface mount crystal suitable for non safety-critical automotive applications. Qualified to AEC-Q200 and available with TS16949 release.

General Specifications

- Load Capacitance (C_L): 12.5pF standard
- Drive Level: 0.2μW max
- Ageing: ±5ppm max per year at 25°C
- Shunt Capacitance (C₀): 2.5pF max

Standard Frequency Tolerance

- ±20ppm

Frequency Stability Coefficient

- 0.034ppm/°C² (±0.006ppm/°C²)

Operable Temperature Range

- 40 to 85°C

Storage Temperature Range

- 40 to 105°C

Environmental

- Qualified to AEC-Q200

Packaging

- Loose in bulk pack, 100pcs per bag
- Tape and reel in accordance with EIA-481-D, 1kpcs per reel (please see pages 372 & 373)

Ordering Information (*minimum required)

- Frequency*
- Model*
- Frequency Tolerance (@25°C)*
- Frequency Stability (over operating temperature range)*
- Operating Temperature Range*
- Load Capacitance*

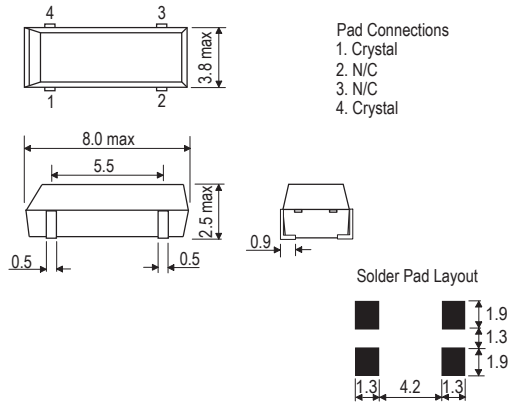
Example

- 32.768kHz 85SMX AUTO
20/-/-12.5

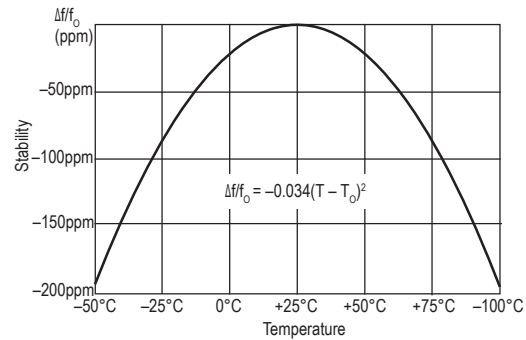
Electrical Specification - maximum limiting values

Frequency Range	Frequency Tolerance @25°C	Operating Temperature Range	Typical Frequency Stability Coefficient	ESR Max	Vibration Mode
32.768kHz	±20ppm	-40 to 85°C	-0.034ppm/°C ²	50kΩ	Fundamental

Outline (mm) 85SMX AUTO



Typical Frequency Stability Characteristics





NOTES

