

# CFPS-130, -131 SMD CLOCK OSCILLATORS

ISSUE 3; 1 NOVEMBER 2008 - RoHS 2002/95/EC

## Description

- 3.3V surface mount oscillator in a 'J' lead plastic package

## Fast Make Capability

- Please see CFPP-131 series Programmable Oscillators for nearest equivalent fast make parts

## Package Outline

- 13 x 9mm

## Frequency Range

- 1 to 60MHz

## Output Compatibility & Load

- HCMOS
- Tri-state (CFPS-131) (3.3V)
- Non tri-state (CFPS-130) (3.3V)

## Standard Frequency Stabilities

- $\pm 50\text{ppm}$ ,  $\pm 100\text{ppm}$  (inclusive of supply voltage variations over the operating temperature range)

## Operating Temperature Range

- 0 to 70°C

## Storage Temperature Range

- 50 to 125°C

## Tri-state Operation (CFPS-131)

- Logic '1' to pad 1 enables oscillator output
- Logic '0' to pad 1 disables oscillator output; when disabled the oscillator output goes to the high impedance state, 0.2V max
- No connection to pad 1 enables oscillator output
- When oscillator is enabled, maximum transition time = 100ns

## Marking Includes

- Model Number + Operating Temperature Code (if applicable) + Frequency Stability Code + Frequency + Date Code

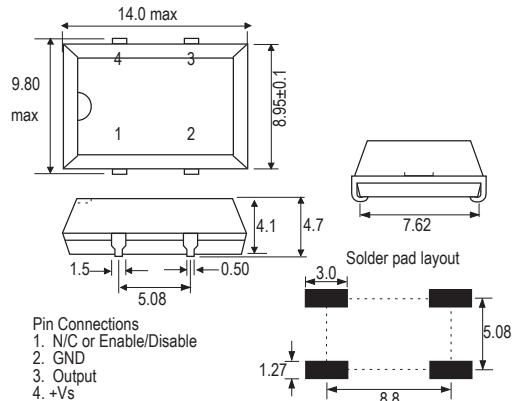
## Packaging

- Bulk or Tape and Reel

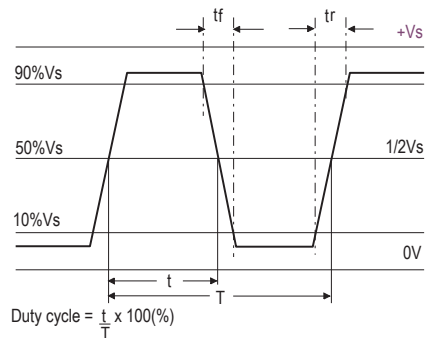
## Minimum Order Information Required

- Frequency + Model Number + Operating Temperature Code (if applicable) + Frequency Stability

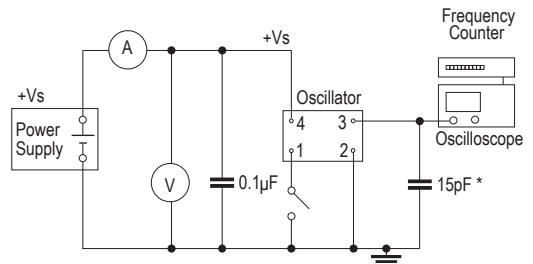
## Outline (mm)



## Output Waveform



## Test Circuit



\* Inclusive of jigging and equipment capacitance

### Electrical Specifications - maximum limiting values

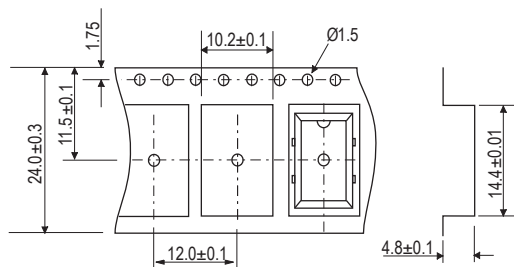
Frequency Range	Frequency Stability	Supply Voltage	Supply Current	Rise Time (tr)	Fall Time (tf)	Duty Cycle	Model Number
1.0 to < 27.0MHz	±50ppm, ±100ppm	3.3V ±0.3V	10mA	5ns	5ns	40/60%	CFPS-130, -131
27.0 to <50.0MHz			20mA				
50.0 to 60.0MHz			25mA				

Ordering Example \_\_\_\_\_ 3.0MHz CFPS-130 B  
 Frequency \_\_\_\_\_  
 Model No. \_\_\_\_\_  
 Frequency Stability \_\_\_\_\_

Please note that the rise and fall times listed are the maximum values we specify to cover various frequency breaks. In practice the actual values are generally lower depending upon the spot frequency chosen. For typical values please contact our sales office  
 For higher frequencies than shown above, please see our CFPP-131 Programmable Oscillator series

CLOCK OSCILLATORS

### Tape (mm)



### Reel (mm)

