

### Tape & Reel Details

#### Thru-hole

All IQD Thru Hole Devices supplied on tape and reel will confirm to the Electronics Industries Association standard EIA-468-C

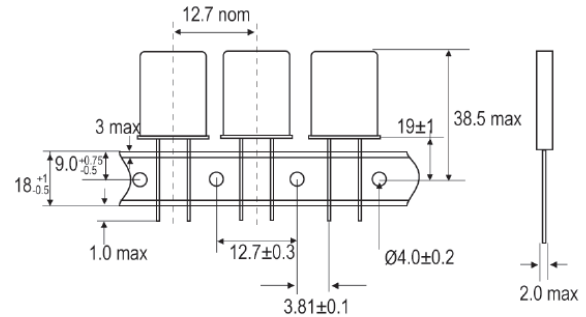
#### Hold Down Tape

- The hold down tape shall not protrude beyond the carrier tape.
- The components shall be held sufficiently in the tape so that their position remains within the permitted tolerances.

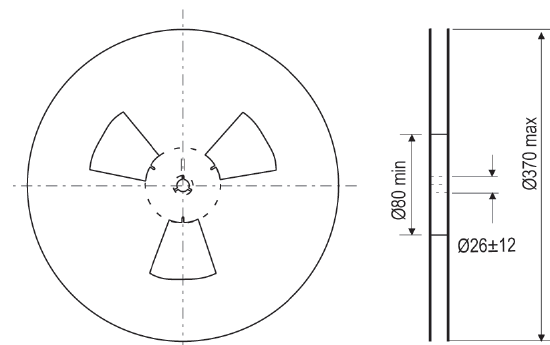
#### References

- All dimensions are based on international standard EIA-468-C.

#### Tape (mm)



#### Reel (mm)



Cut outs are shown for indication only