

ISSUE 3; September 2021



Description

- 5.0 x 3.2mm surface mount voltage controlled crystal oscillators (VCXOs) in a hermetically sealed ceramic package

Frequency Parameters

- Frequency 2.0MHz to 52.0MHz
- Frequency Stability $\pm 25.00\text{ppm}$ to $\pm 100.00\text{ppm}$
- Modulation Bandwidth: $>20\text{kHz}$
- Linearity $\leq \pm 10\%$ Positive

Electrical Parameters

- Supply Voltage 5.0V $\pm 5\%$

Frequency Adjustment

- Pulling $\pm 100\text{ppm}$ min
- Control Voltage 2.5V $\pm 2.0\text{V}$
- Input Impedance 100k Ω typ

Operating Temperature Ranges

- 10 to 70°C

Output Details

- Output Compatibility HCMOS
- Drive Capability 15pF max
- Logic '1' ($>70\%V_s$) to pad 6 enables oscillator output
Logic '0' ($<30\%V_s$) to pad 6 disables oscillator output; when disabled the oscillator output goes into high impedance state
No connection to pad 6 enables oscillator output

Noise Parameters

- Phase Noise (max):
 - 65dBc/Hz @ 10Hz
 - 98dBc/Hz @ 100Hz
 - 125dBc/Hz @ 1kHz
 - 135dBc/Hz @ 10kHz
 - 145dBc/Hz @ 100kHz

Environmental Parameters

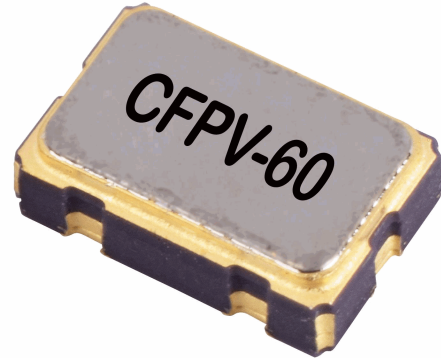
- Storage Temperature Range: -40 to 85°C

Ordering Information

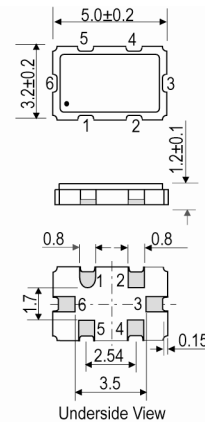
- Frequency*
- Model*
- Output
- Frequency Stability (over operating temperature range)*
- Operating Temperature
- Supply Voltage
- Pullability
- Example
3.0MHz CFPV-60
HCMOS $\pm 100\text{ppm}$ -10 to 70C 5.0V $\pm 100\text{ppm}$ min

Compliance

- RoHS Status (2015/863/EU) Compliant
- REACH Status Compliant
- MSL Rating (JDEC-STD-033): Not Applicable

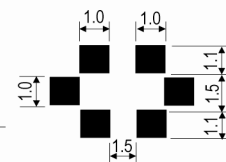


Outline (mm)



- Pad Connections
- Voltage Control
 - GND
 - GND or N/C
 - Output
 - +Vs
 - Enable/Disable

Solder Pad Layout



Sales Office Contact Details:

UK: +44 (0)1460 270200

USA: +1.760.318.2824

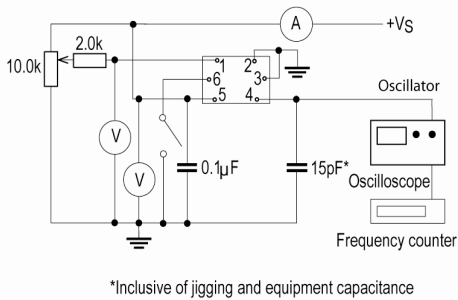
Email: info@iqdfrequencyproducts.com

Web: www.iqdfrequencyproducts.com

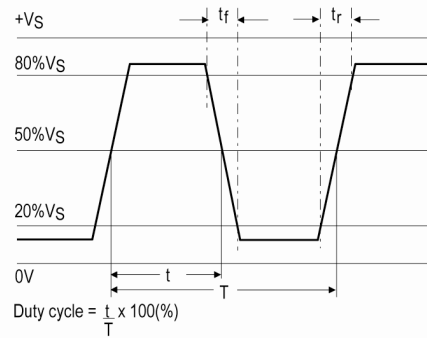
Packaging Details

- Pack Style: Bulk Loose in bulk pack
Pack Size: 100
- Pack Style: Cutt In tape cut from a reel
Pack Size: 100
- Pack Style: Reel Tape & reel in accordance with EIA-481-D
Pack Size: 1,000

Test Circuit



Wave Form



Electrical Specification - maximum limiting values 5.0V ±5%

Frequency Min	Frequency Max	Temperature Range	Stability (Min)	Current Draw	Rise and Fall Time	Duty Cycle
		°C	ppm	mA	ns	%
2.0MHz	30.0MHz	-10 to 70	±25.0	15	5	40/60%
30.000001MHz	52.0MHz	-10 to 70	±25.0	25	5	40/60%

This document was correct at the time of printing; please contact your local sales office for the latest version.

[Click to view latest version on our website.](#)

Sales Office Contact Details:

UK: +44 (0)1460 270200

USA: +1.760.318.2824

Email: info@iqdfrequencyproducts.com

Web: www.iqdfrequencyproducts.com