

ISSUE 9; April 2022

Description

- Standard 5x3.2mm SMD crystal with four pads.
- Ceramic package with a seam sealed metal lid, hermetically sealed.
- Please see our IQXC-49 for a two pad alternative.

Frequency Parameters

- Frequency: 8.0MHz to 133.0MHz
- Frequency Tolerance: $\pm 10.00\text{ppm}$ to $\pm 50.00\text{ppm}$
- Tolerance Condition: @ 25°C
- Frequency Stability: $\pm 10.00\text{ppm}$ to $\pm 50.00\text{ppm}$
- Ageing: $\pm 3\text{ppm}$ max per year @ 25°C

Electrical Parameters

- Load Capacitance (CL): 10.0pF to 30.0pF
- Shunt Capacitance (C0): 7pF max
- Drive Level: 100µW max

Operating Temperature Ranges

- 10 to 60°C
- 20 to 70°C
- 40 to 85°C
- 40 to 105°C
- 40 to 125°C

Environmental Parameters

- Shock: 1500g, 0.5ms, 3 times in each of 3 mutually perpendicular planes
- Vibration: 20g (20Hz-2000Hz), 1.52mm amplitude, 20mins in 3 mutually perpendicular planes, 4 cycles
- Storage Temperature Range: -55 to 125°C

Manufacturing Details

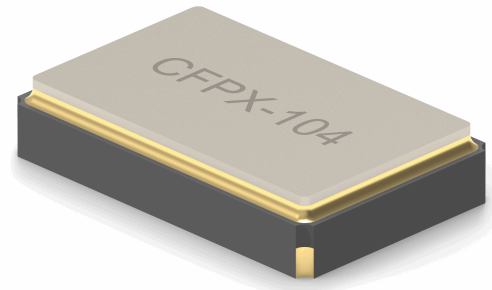
- RoHS Terminations: Au 0.3µm~1.0µm
- RoHS Reflow: 260degC max for 30s max

Ordering Information

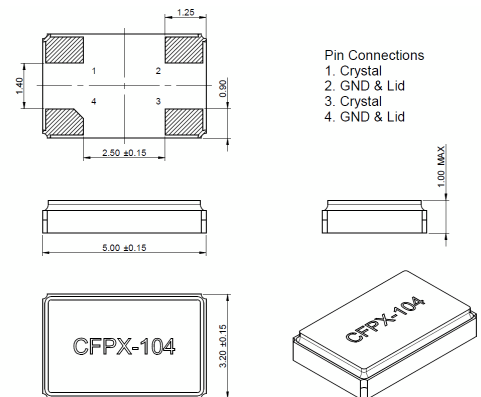
- Frequency*
- Model*
- Frequency Tolerance (@ 25°C)*
- Frequency Stability (over operating temperature range)*
- Operating Temperature Range*
- Load Capacitance*
- Overtone*
- (*minimum required)
- Example
- 10.0MHz CFPX-104
- 50/50/-40 to 85C/10 FUND

Compliance

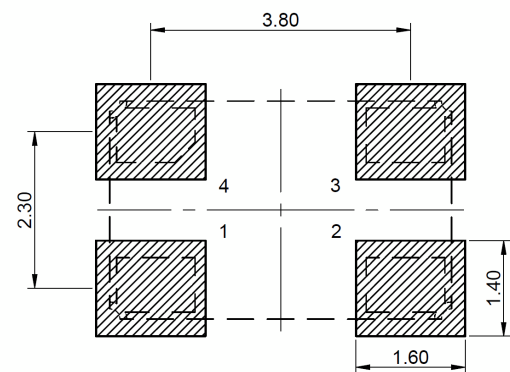
- RoHS Status (2015/863/EU): Compliant
- REACH Status: Compliant
- MSL Rating (JDEC-STD-033): Not Applicable



Outline (mm)



Recommended Solder Pad Layout



Sales Office Contact Details:

UK: +44 (0)1460 270200

USA: +1.760.318.2824

Email: info@iqdfrequencyproducts.com

Web: www.iqdfrequencyproducts.com

Packaging Details

- Pack Style: Cutt In tape, cut from a reel
Pack Size: 100
- Pack Style: Reel Tape & reel in accordance with EIA-481-D
Pack Size: 1,000

Electrical Specification - maximum limiting values

Frequency Min	Frequency Max	Temperature Range	Stability (Min)	Over Tone Order	ESR
		°C	ppm		Ω
8.0MHz	10.0MHz	-10 to 60	±10	Fundamental	150
		-20 to 70	±10		150
		-40 to 85	±20		150
		-40 to 105	±50		150
		-40 to 125	±50		150
10.000001MHz	12.0MHz	-10 to 60	±10	Fundamental	90
		-20 to 70	±10		90
		-40 to 85	±20		90
12.000001MHz	15.0MHz	-10 to 60	±10	Fundamental	70
		-20 to 70	±10		70
		-40 to 85	±20		70
15.000001MHz	20.0MHz	-10 to 60	±10	Fundamental	50
		-20 to 70	±10		50
		-40 to 85	±20		50
20.000001MHz	30.0MHz	-10 to 60	±10	Fundamental	40
		-20 to 70	±10		40
		-40 to 85	±20		40
30.000001MHz	40.0MHz	-10 to 60	±10	Fundamental	30
		-20 to 70	±10		30
		-40 to 85	±20		30
40.0MHz	80.0MHz	-10 to 60	±10	3rd Overtone	100
		-20 to 70	±10		100
		-40 to 85	±20		100
40.000001MHz	52.0MHz	-10 to 60	±10	Fundamental	20
		-20 to 70	±10		20
		-40 to 85	±20		20
80.000001MHz	133.0MHz	-10 to 60	±10	3rd Overtone	80
		-20 to 70	±10		80
		-40 to 85	±20		80

*Stability Maximum values ±50ppm

This document was correct at the time of printing; please contact your local sales office for the latest version.

[Click to view latest version on our website.](#)

Sales Office Contact Details:

UK: +44 (0)1460 270200

USA: +1.760.318.2824

Email: info@iqdfrequencyproducts.com

Web: www.iqdfrequencyproducts.com