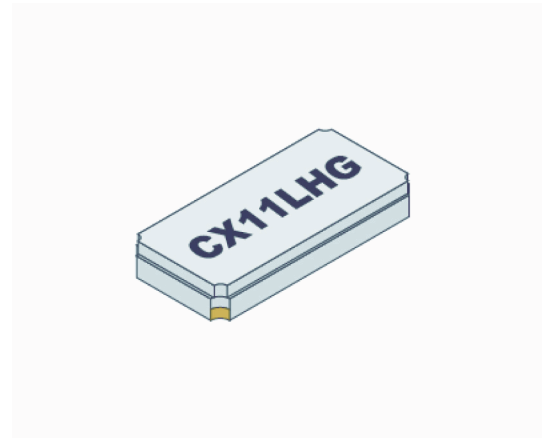


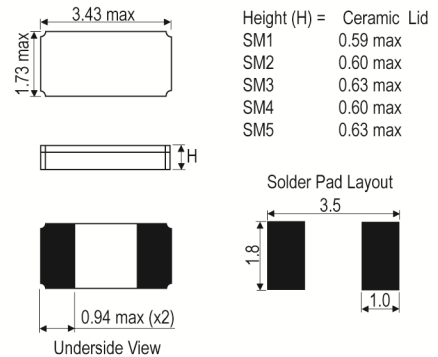
ISSUE 1; February 2020

Description

- This product is designed and manufactured by Statek Corporation in California, USA and distributed by IQD. CX11LHG is a high performance quartz crystal designed to survive the most extreme shock and high vibration application environments. Low acceleration sensitivity and low ageing performance meets the most demanding requirements. Available with tight calibration tolerances and high stability over temperature.
- -C-SM1 5000G, Gold Plated (RoHS) wth ceramic lid
- -C-SM4 5000G, Solder Plated (RoHS) with ceramic lid
- -C-SM5 5000G, Solder Dipped (RoHS) with ceramic lid
- -HG1-C-SM1 10000G, Gold Plated (RoHS) with ceramic lid
- -HG1-C-SM4 1000G, Solder Plated (RoHS) wth ceramic lid
- -HG1-C-SM5 1000G, Solder Dipped (RoHS) with ceramic lid
- -HG2-C-SM1 20000G, Gold Dipped (RoHS) with ceramic lid
- -HG2-C-SM4 20000G, Solder Plated (RoHS) with ceramic lid
- -HG2-C-SM5 20000G, Solder Dipped (RoHS) with ceramic lid
- -HG3-C-SM1 30000G, Gold Plated (RoS) with ceramic lid
- -HG3-C-SM4 30000G, Solder Plated (RoHS) with ceramic lid
- -HG3-C-SM5 30000G, Solder Dipped (RoHS) with ceramic lid
- -HG4-C-SM1 50000G, Gold Plated (RoHS) with ceramic lid
- -HG4-C-SM4 50000G, Solder Plated (RoHS) wth ceramic lid
- -HG4-C-SM5 50000G, Solder Dipped (RoHS) with ceramic lid
- -HG5-C-SM1 75000G, Gold Plated (RoHS) with ceramic lid
- -HG5-C-SM4 75000G, Solder Plated (RoHS) wth ceramic lid
- -HG5-C-SM5 75000G, Solder Dipped (RoHS) with ceramic lid
- **FEATURES:**
 Mechanical shock survivability up to 75,000G
 Ultra-low profile - typical height of 0.5 mm
 Low acceleration sensitivity available
 Hermetically sealed ceramic package
 Excellent ageing characteristics
 Full military testing available
- **APPLICATIONS:**
 Industrial & Communications -
 Down-hole Data Recorder
 Process Control
 Environmental Control
 Engine Control
 Telemetry
 Ruggedised Instrumentation
 Automotive Control
 Military & Aerospace -
 Smart Munitions
 Timing Devices (Fuses)
 Surveillance Devices
 Missile Telemetry
 Ruggedised Communications
 Aviation Equipment
- Please note that all data is only valid at 25°C unless otherwise stated.



Outline (mm) -C-SM1 = 5000G, Gold Plated (RoHS) wth ceramic lid



Sales Office Contact Details:

UK: +44 (0)1460 270200

USA: +1 760 318 2824

Email: info@iqdfrequencyproducts.com

Web: www.iqdfrequencyproducts.com

Frequency Parameters

- Frequency 16.0MHz to 50.0MHz
- Frequency Tolerance $\pm 30.00\text{ppm}$ to $\pm 100.00\text{ppm}$
- Tolerance Condition @ 25°C
- Frequency Stability $\pm 10.00\text{ppm}$ to $\pm 100.00\text{ppm}$
- Ageing $\pm 5\text{ppm}$ max in 1st year

Electrical Parameters

- Load Capacitance (CL) 10.0pF
- Shunt Capacitance (C0) 0.7pF typ @ 24MHz
- Drive Level 200 μ W max
- Fundamental Frequency 16.0MHz 24.0MHz 32.0MHz
- Motional Resistance R1 (Ω) 85 30 25
- Motional Capacitance C1 (fF) 1.5 1.6 1.9
- Quality Factor Q (k) 80 150 110
- Shunt Capacitance C0 (pF) 0.7 0.7 0.9

Operating Temperature Ranges

- -10 to 70°C
- -40 to 85°C
- -55 to 125°C

Environmental Parameters

- Shock: Up to 75000G, 0.3ms, half sine
- Vibration: MIL-STD-202G, Method 204D, Condition D: 20G, 10-2000Hz swept sine
(Note: Random vibration testing also available)
- Storage Temperature Range: -55 to 125°C

Manufacturing Details

- Soldering Process Temperature: 260°C max for 20sec max

Ordering Information

- Frequency*
- Model*
- Shock Level*
- Termination*
- Frequency Tolerance (@ 25°C)*
- Frequency Stability (over operating temperature range)*
- Operating Temperature Range*
- Load Capacitance*
(*minimum required)
- Shock Level Variants:
 - Blank = 5000G
 - HG1 = 10000G
 - HG2 = 20000G
 - HG3 = 30000G
 - HG4 = 50000G
 - HG5 = 75000G
- Termination Variants:
 - SM1 = Gold Plated (RoHS compliant)
 - SM2 = Solder Plated (Non-RoHS compliant)
 - SM3 = Solder Dipped (Non-RoHS compliant)
 - SM4 = Solder Plated (RoHS compliant)
 - SM5 = Solder Dipped (RoHS compliant)
- Example
20.0MHz CX11L AT-HG1-C-SM1
100/100/-55 to 125C/10 FUND

Sales Office Contact Details:

UK: +44 (0)1460 270200

USA: +1 760 318 2824

Email: info@iqdfrequencyproducts.comWeb: www.iqdfrequencyproducts.com

Compliance

- RoHS Status (2015/863/EU) Optional
- REACH Status Compliant
- MSL Rating (JDEC-STD-033): Not Applicable

Packaging Details

- Pack Style: Reel Tape & reel in accordance with EIA-481-D
Pack Size: 1,000
- Pack Style: Tray Supplied on a tray
Pack Size: 1

Electrical Specification - maximum limiting values

Frequency Min	Frequency Max	Temperature Range	Stability (Min)	Over Tone Order	ESR
		°C	ppm		Ω
16.0MHz	50.0MHz	-10 to 70	±10	Fundamental	- 0
		-40 to 85	±20		- 0
		-55 to 125	±30		- 0

*Stability Maximum values ±100ppm

This document was correct at the time of printing; please contact your local sales office for the latest version.
[Click to view latest version on our website.](#)

Sales Office Contact Details:

UK: +44 (0)1460 270200

USA: +1 760 318 2824

Email: info@iqdfrequencyproducts.comWeb: www.iqdfrequencyproducts.com