

ISSUE 1; October 2023

Description

- This product is designed and manufactured by Statek Corporation in California, USA and distributed by IQD. The CX11VSM tuning-fork quartz crystal has an extremely small footprint (3.2mm x 1.5mm) and a very low profile (under 1mm). For applications where space or mass are a premium, the small size and low mass of the CX11VSM make it the ideal choice.
- -C SM1 Ceramic lid SM1 (Gold Plated, RoHS compliant)
- Please note that all data is only valid at 25°C unless otherwise stated.

Frequency Parameters

- Frequency 32.0kHz to 180.0kHz
- Frequency Tolerance ±20.00ppm to ±100.00ppm
- Tolerance Condition @ 25°C
- Ageing ±3ppm max in 1st year
- The crystal frequency (f) as a function of temperature (T) follows the parabolic relationship:
 $f(T) = f(T_0)[1+k(T-T_0)^2]$
 Where T_0 is the turnover temperature and k is the frequency stability coefficient
- Frequency Stability Coefficient (k): -0.035ppm/°C²

Electrical Parameters

- Load Capacitance (CL) 9.0pF
- Shunt Capacitance (C0) 1pF typ @ 32.7680kHz
- Drive Level 0.5µW max
- Typical:

Fundamental Frequency	32.7680kHz	50.0kHz	100.0kHz
Motional Resistance (R1)	50kΩ	40kΩ	20kΩ
Motional Capacitance (C1)	3.5fF	1.4fF	1.0fF
Quality Factor (Q)	25k	55k	70k
- Typical:

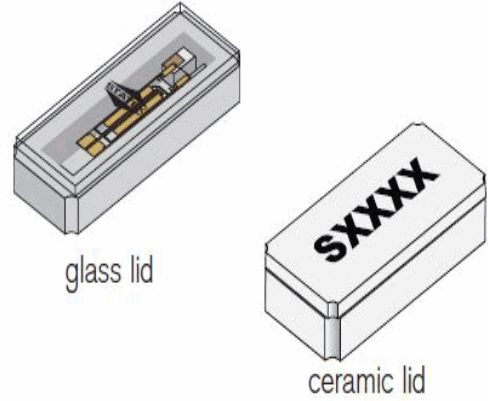
Fundamental Frequency	32.7680kHz	50.0kHz	100.0kHz
Shunt Capacitance (Co)	1.0pF	0.8pF	0.8pF
Load Capacitance (CL)	9pF	9pF	9pF
Mass (SM1, ceramic lid)	12mg	12mg	12mg
Turnover Temperature (To)	25°C	17°C	18°C
- Note:
 - Other load capacitances are available
 - Other turnover temperatures are available
 - Tighter frequency tolerances are available
 - Please contact an IQD Sales Office for further information

Operating Temperature Ranges

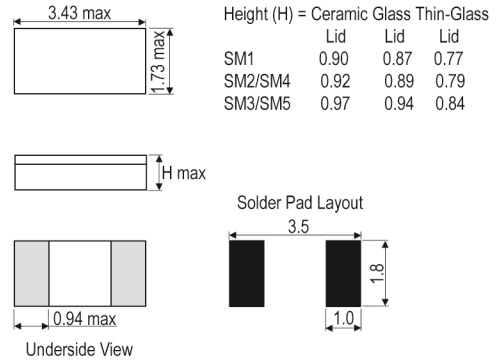
- -10 to 70°C
- -40 to 85°C
- -55 to 125°C

Environmental Parameters

- Shock: 5000G, 0.3ms, 1/2 sine
- Vibration: 20G, 10-2000Hz swept sine
- Storage Temperature Range: -55 to 125°C



Outline (mm) -C SM1 = Ceramic lid SM1 (Gold Plated, RoHS compliant)



Sales Office Contact Details:

UK: +44 (0)1460 270200

USA: +1 760 318 2824

Email: info@iqdfrequencyproducts.com

Web: www.iqdfrequencyproducts.com

Manufacturing Details

- FEATURES:
 - Ultra-miniature
 - Low profile (less than 1mm)
 - Low mass (12mg for SM1 with ceramic lid)
 - Surface mount
 - Available with ceramic or glass lid
 - High shock and vibration survival
 - Excellent ageing characteristics
 - Ideal for low power applications
- APPLICATIONS:
 - Medical -
 - CRM
 - Infusion pumps
 - Diabetes Control
- Maximum Process Temperature: 260°C for 20 sec

Ordering Information

- Frequency*
 - Model*
 - Lid*
 - Termination Variant*
 - Frequency Tolerance (@ 25°C)*
 - Operating Temperature Range*
 - Load Capacitance*
 - Overtone
 - (*minimum required)
- Lid Options:
 - Glass - blank
 - Thin Glass - T
 - Ceramic - C
- Termination Variants:
 - Gold Plated - SM1
 - Solder Plated - SM4
 - Solder Dipped - SM5
 - (Note: non-RoHS compliant terminations are available - please contact our sales offices)
- Example
 - 32.7680kHz CX11V TF-C SM1
 - 100/-/-55 to 125C/9 FUND

Compliance

- RoHS Status (2015/863/EU) Optional
- REACH Status Compliant
- MSL Rating (JDEC-STD-033): Not Applicable

Packaging Details

- Pack Style: Reel Tape & reel in accordance with EIA-481-D
 - Pack Size: 1,000
- Pack Style: Tray Tray pack
 - Pack Size: 1

Sales Office Contact Details:

UK: +44 (0)1460 270200

USA: +1 760 318 2824

Email: info@iqdfrequencyproducts.com

Web: www.iqdfrequencyproducts.com

Electrical Specification - maximum limiting values

Frequency Min	Frequency Max	Temperature Range	Stability (Min)	Over Tone Order	ESR
		°C	ppm		Ω
32.000kHz	180.00kHz	-10 to 70		Fundamental	- 0
		-40 to 85			- 0
		-55 to 125			- 0

*Stability Maximum values ± 0 ppm

This document was correct at the time of printing; please contact your local sales office for the latest version.
[Click to view latest version on our website.](#)

Sales Office Contact Details:

UK: +44 (0)1460 270200

USA: +1 760 318 2824

Email: info@iqdfrequencyproducts.comWeb: www.iqdfrequencyproducts.com