

ISSUE 1; June 2019

Description

- This product is designed and manufactured by Statek Corporation in California, USA and distributed by IQD. The CX3 EXT surface-mount quartz crystal is hermetically sealed in a rugged ceramic package. This crystal has been designed utilising the experience acquired by producing millions of crystals for industrial, commercial and medical applications.
- -C SM1 Gold plated (lead free) ceramic lid
- -C SM4 Solder plated (lead free) ceramic lid
- -C SM5 Solder dipped (lead free) ceramic lid
- -SM1 Gold plated (lead free) glass lid
- -SM4 Solder plated (lead free) glass lid
- -SM5 Solder dipped (lead free) glass lid
- FEATURES:
 - Extensional mode
 - Ideal for use with microprocessors
 - Designed for low power applications
 - Compatible with hybrid or PC board packaging
 - Low ageing
 - Ideal for battery operated applications
- TYPICAL APPLICATION FOR A PIERCE OSCILLATOR:

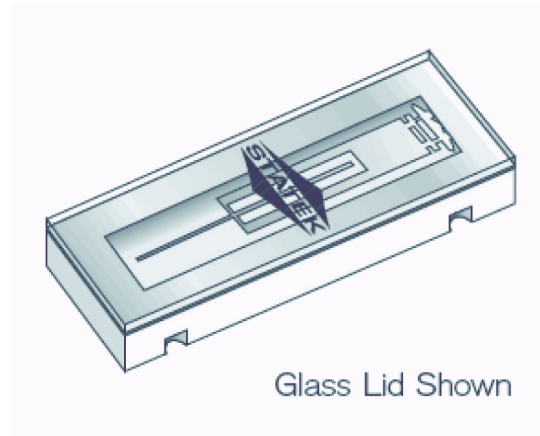
The low profile CX3 EXT miniature surface mount crystal is ideal for small, high density, battery operated portable products. The CX crystal designed in a Pierce oscillator (single inverter) circuit provides very low current consumption and high stability.
- A conventional CMOS Pierce oscillator circuit is shown. The crystal is effectively inductive and in a PI network circuit with CD and CG provides the additional phase shift necessary to sustain oscillation. The oscillation frequency (f0) is 15 to 150 ppm above the crystal's series resonant frequency (fS).
- Drive Level:

RA is used to limit the crystal's drive level by forming a voltage divider between RA and CD. RA also stabilizes the oscillator against changes in the amplifiers output resistance (R0). RA should be increased for higher voltage operation.
- Load Capacitance:

The CX3 EXT crystal frequency tolerance is influenced by the effective circuit capacitances, specified as the load capacitance (CL). CL is approximately equal to: $CL = ((CD \times CG)/(CD + CG)) + CS$
- Note: CD and CG include stray layout to ground and CS is the stray shunt capacitance between the crystal terminal. In practice, the effective value of CL will be less than that calculated from CD, CG and CS values because of the effect of the amplifier output resistance. CS should be minimized.
- The oscillation frequency (f0) is approximately equal to:

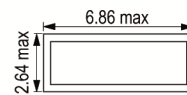
$$f_0 = f_S [1 + (C_1/(2*(C_0 + CL)))]$$

Where fS = Series resonant frequency of the crystal
 C1 = Motional Capacitance
 C0 = Shunt Capacitance
- Please note that all data is only valid at 25°C unless otherwise stated.

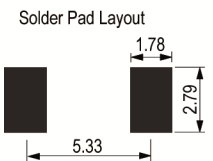
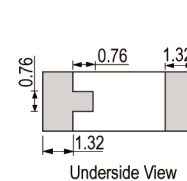
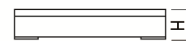


Glass Lid Shown

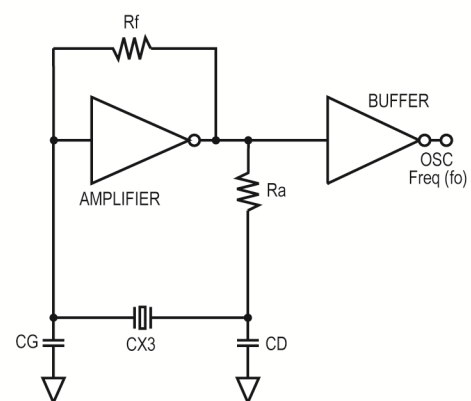
Outline (mm) -C SM1 = Gold plated (lead free) ceramic lid



	Height (H) =	
	Glass Lid	Ceramic Lid
SM1	1.35	1.70
SM2	1.40	1.75
SM3	1.47	1.83
SM4	1.40	1.75
SM5	1.47	1.83



Conventional CMOS Pierce Oscillator Circuit



Sales Office Contact Details:

UK: +44 (0)1460 270200

USA: +1.760.318.2824

Email: info@iqdfrequencyproducts.com

Web: www.iqdfrequencyproducts.com

Frequency Parameters

- Frequency 800.0kHz to 1.35MHz
- Frequency Tolerance $\pm 500.00\text{ppm}$ to $\pm 10,000.00\text{ppm}$
- Tolerance Condition @ 25°C
- Ageing $\pm 5\text{ppm}$ max in 1st year @ 25°C
- Turning Point: 35°C standard
Other values are available - please contact an IQD Sales Office
- Temperature Coefficient: $-0.035\text{ppm}/^\circ\text{C}^2$ typ
Note: Frequency f at temperature T is related to frequency f_0 at turning point temperature T_0 by: $(f-f_0)/f_0 = k(T-T_0)^2$
- Function Mode: Extensional
- Note: Tighter Frequency Tolerances are available - please contact an IQD Sales Office

Electrical Parameters

- Load Capacitance (CL) 7.0pF
- Shunt Capacitance (C0) 1pF typ
- Drive Level $3\mu\text{W}$ max
- Motional Capacitance: 1.2fF typ
- Quality Factor: 150k typ

Operating Temperature Ranges

- -10 to 70°C
- -40 to 85°C
- -55 to 125°C

Environmental Parameters

- Shock: 1000g, 0.3ms, 1/2 sine
- Vibration: 10G rms, 20-1000Hz random
- Storage Temperature Range: -55 to 125°C

Manufacturing Details

- Maximum Process Temperature: 260°C for 20sec max

Ordering Information

- Frequency*
- Model*
- Lid Variant*
- Termination Variant*
- Frequency Tolerance (@ 25°C)*
- Operating Temperature Range*
- Load Capacitance
(*minimum required)
- Lid Variants:
Blank = Glass
C = Ceramic
- Termination Variants:
SM1 = Gold Plated
SM4 = Solder Plated
SM5 = Solder Dipped
Note: non-RoHS compliant terminations are available - please contact an IQD Sales Office
- Example
1.0MHz CX3 EXT-SM1
1000/-40 to 85C/7

Sales Office Contact Details:

UK: +44 (0)1460 270200

USA: +1.760.318.2824

Email: info@iqdfrequencyproducts.com

Web: www.iqdfrequencyproducts.com

Compliance

- RoHS Status (2015/863/EU) Optional
- REACH Status Compliant
- MSL Rating (JDEC-STD-033): Not Applicable

Packaging Details

- Pack Style: Reel Tape & reel in accordance with EIA-481-D
Pack Size: 1,000
- Pack Style: Tray Supplied on a tray
Pack Size: 1

Electrical Specification - maximum limiting values

Frequency Min	Frequency Max	Temperature Range	Stability (Min)	Over Tone Order	ESR
		°C	ppm		Ω
800.0kHz	1.35MHz	-10 to 70		EXT	5,000
		-40 to 85			5,000
		-55 to 125			5,000

*Stability Maximum values ±0ppm

This document was correct at the time of printing; please contact your local sales office for the latest version.

[Click to view latest version on our website.](#)

Sales Office Contact Details:

UK: +44 (0)1460 270200

USA: +1.760.318.2824

Email: info@iqdfrequencyproducts.com

Web: www.iqdfrequencyproducts.com