

ISSUE 2; February 2017

**Description**

- Resistance welded, hermetically sealed metal package sealed in an inert atmosphere with glass to metal seals securing the lead wires. The lead wires are formed into a gull wing and mounted on a plastic former and is suitable for automotive applications. Qualified to AEC-Q200 and with TS16949 release.

**Frequency Parameters**

- Frequency: 3.01MHz to 100.0MHz
- Frequency Tolerance:  $\pm 10.00\text{ppm}$  to  $\pm 50.00\text{ppm}$
- Frequency Stability:  $\pm 15.00\text{ppm}$  to  $\pm 100.00\text{ppm}$
- Ageing:  $\pm 5\text{ppm}$  max per year @ 25°C

**Electrical Parameters**

- Load Capacitance (CL): 10.0pF to 75.0pF
- Shunt Capacitance (C0): 7pF max
- Drive Level: 50µW standard

**Operating Temperature Ranges**

- 40 to 85°C
- 40 to 125°C

**Environmental Parameters**

- Storage Temperature Range: -40 to 150°C
- Qualified to AEC-Q200

**Ordering Information**

- Frequency\*
- Model\*
- Frequency Tolerance (@25°C)\*
- Frequency Stability (over operating temperature range)\*
- Operating Temperature Range\*
- Load Capacitance\*
- Overtone\*
- Example  
10.00MHz HC49/4HSMX AUTO  
50/100/-40 to 125C/16 FUND

**Compliance**

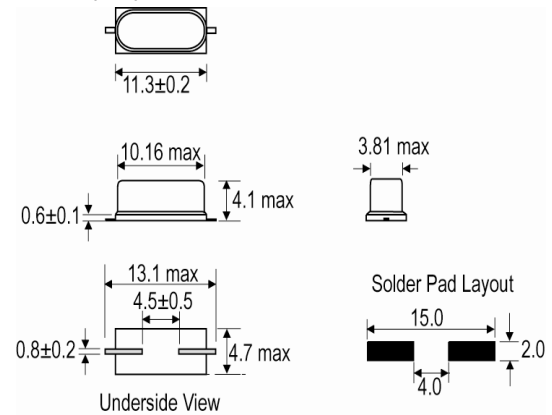
- RoHS Status (2011/65/EU): Compliant
- REACH Status: Compliant
- MSL Rating (JEDEC-STD-033): Not Applicable

**Packaging Details**

- Pack Style: Cutt: On tape cut from a reel  
Pack Size: 1
- Pack Style: Bulk: Loose in bulk pack  
Pack Size: 100
- Pack Style: Reel: Tape & reel in accordance with EIA-481-D  
Pack Size: 2,000



Outline (mm)



**Sales Office Contact Details:**

UK: +44 (0)1460 270200  
Germany: 0800 1808 443

France: 0800 901 383  
USA: +1.760.318.2824

Email: [info@iqdfrequencyproducts.com](mailto:info@iqdfrequencyproducts.com)  
Web: [www.iqdfrequencyproducts.com](http://www.iqdfrequencyproducts.com)

**Electrical Specification - maximum limiting values**

Frequency Min	Frequency Max	Temperature Range	Stability (Min)	Over Tone Order	ESR
		°C	ppm		Ω
3.01MHz	4.0MHz	-40 to 85 -40 to 125	±15 ±50	Fundamental	300
4.000001MHz	5.5MHz	-40 to 85 -40 to 125	±15 ±50	Fundamental	130
5.500001MHz	8.0MHz	-40 to 85 -40 to 125	±15 ±50	Fundamental	80
8.000001MHz	40.0MHz	-40 to 85 -40 to 125	±15 ±50	Fundamental	60
26.0MHz	100.0MHz	-40 to 85 -40 to 125	±15 ±50	3rd Overtone	100

\*Stability Maximum values ±100ppm

This document was correct at the time of printing; please contact your local sales office for the latest version.

[Click to view latest version on our website.](#)

**Sales Office Contact Details:**

UK: +44 (0)1460 270200  
Germany: 0800 1808 443

France: 0800 901 383  
USA: +1.760.318.2824

Email: [info@iqdfrequencyproducts.com](mailto:info@iqdfrequencyproducts.com)  
Web: [www.iqdfrequencyproducts.com](http://www.iqdfrequencyproducts.com)