

ISSUE 3; July 2024

### Description

- Standard 2.5 x 2.0mm oscillator in a ceramic package with a hermetically sealed metal lid



### Frequency Parameters

- Frequency: 1.0MHz to 156.25MHz
- Frequency Stability:  $\pm 50.00\text{ppm}$  to  $\pm 100.00\text{ppm}$
- Ageing:  $\pm 5\text{ppm}$  per year

### Electrical Parameters

- Supply Voltage:  $1.8\text{V} \pm 10\%$

### Operating Temperature Ranges

- 20 to 70°C
- 40 to 85°C

### Output Details

- Output Compatibility: CMOS
- Drive Capability: 15pF max
- Start Up Time: 10ms max
- Output Voltage Levels:
  - Output Low (VoL): 10% Vs max
  - Output High (VoH): 90% Vs min

### Output Control

- Enable/Disable:
  - Logic '1' ( $\geq 70\%$  Vs) to pad 1 enables oscillator output.
  - Logic '0' ( $\leq 30\%$  Vs) to pad 1 disables oscillator output. When disabled the oscillator output goes to the high impedance state.
  - No connection to pad 1 enables oscillator output.
- Standby Current: 10 $\mu\text{A}$  max

### Noise Parameters

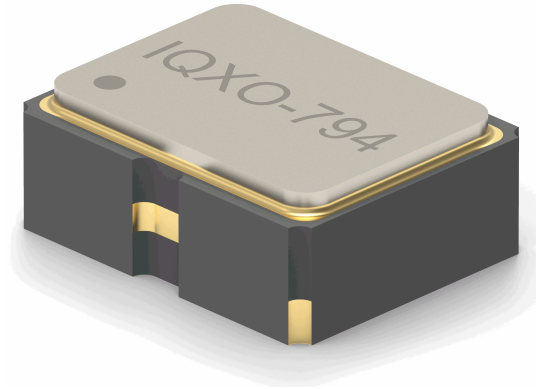
- RMS Phase Jitter (12kHz to 20MHz): 1ps max
- Period Jitter:
  - pk-pk  $\pm 80\text{ps}$  typ
  - $1\sigma \pm 10\text{ps}$  typ

### Environmental Parameters

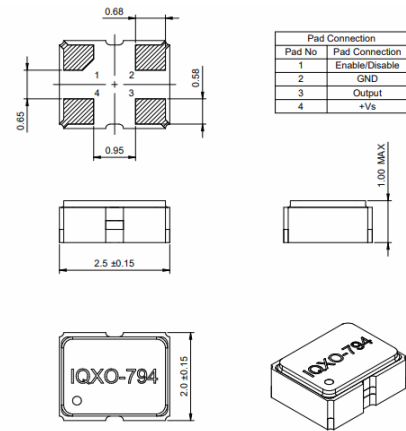
- Storage Temperature Range: -55 to 125°C
- Shock: Half Sine shock pulse with peak acceleration 500g; Pulse duration: 0.3ms
- Vibration: MIL-STD-202 Method 204. 5G for 20 minutes, 12 cycles each of the 3 orientations, 10 - 2000 Hz. As per Table 11 of AEC-Q200.

### Manufacturing Details

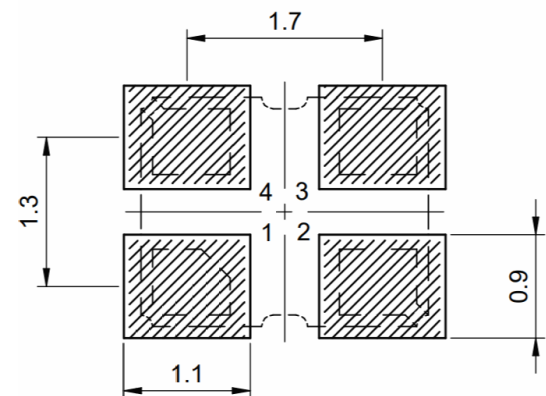
- RoHS Terminations: NiAu
- RoHS Reflow: 260°C max for 30 seconds max



### Outline (mm)



### Recommended Solder Pad Layout



### Sales Office Contact Details:

UK: +44 (0)1460 270200

Email: [info@iqdfrequencyproducts.com](mailto:info@iqdfrequencyproducts.com)

Web: [www.iqdfrequencyproducts.com](http://www.iqdfrequencyproducts.com)

### Ordering Information

- Frequency\*
- Model\*
- Output
- Frequency Stability (over operating temperature range)\*
- Operating Temperature Range\*
- Supply Voltage  
(\*minimum required)
- Example:  
20.0MHz IQXO-794  
HCMOS ±50ppm -10 to 70C 3.3V

### Compliance

- RoHS Status (2015/863/EU)      Compliant
- REACH Status                      Compliant
- MSL Rating (JDEC-STD-033):    Not Applicable

### Packaging Details

- Tape & reel in accordance with EIA-481  
Quantities below the standard reel size to be supplied on cut tape.  
Standard Pack Quantity: 3,000

### Electrical Specification - maximum limiting values 1.8V ±10%

Frequency Min	Frequency Max	Temperature Range	Stability (Min)	Current Draw	Rise and Fall Time	Duty Cycle
		°C	ppm	mA	ns	%
1.0MHz	16.999999MHz	-20 to 70 -40 to 85	±50.0 ±50.0	10 10	7 7	40/60 40/60
17.0MHz	156.25MHz	-20 to 70 -40 to 85	±50.0 ±50.0	12 12	7 7	40/60 40/60

*This document was correct at the time of printing; please contact your local sales office for the latest version.*

[Click to view latest version on our website.](#)

### Sales Office Contact Details:

UK: +44 (0)1460 270200

Email: [info@iqdfrequencyproducts.com](mailto:info@iqdfrequencyproducts.com)

Web: [www.iqdfrequencyproducts.com](http://www.iqdfrequencyproducts.com)