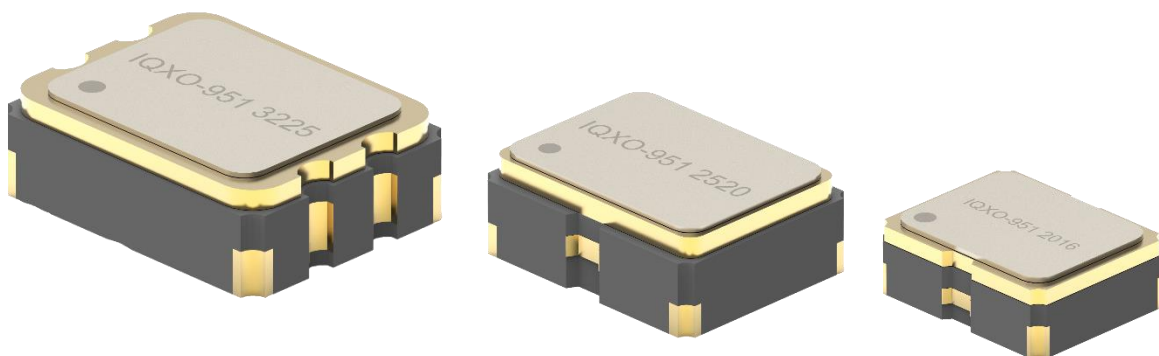


## Variable Supply Voltage Oscillator

**IQXO-951 2016**

**IQXO-951 2520**

**IQXO-951 3225**



### Key Features

Supply Voltage Range from 1.6 V to 3.3 V

Stability of +/-25 ppm

Extended Temperature Range of -40 to 125°C

## Variable Supply Voltage Oscillator

Many of today's industrial and consumer applications require batteries as power source. Therefore, products need to handle a change in voltage as the battery discharges. This can lead to design issues when using a standard oscillator with a fixed supply voltage. A discharging battery may cause a decrease in the source voltage, which consequently change the frequency of the oscillator. Following this, the timing accuracy within the application will decline.

IQD Frequency Products is pleased to launch its newest standard packaged clock oscillator series, the IQXO-951, which operates with a supply voltage range from 1.6 V to 3.3 V.

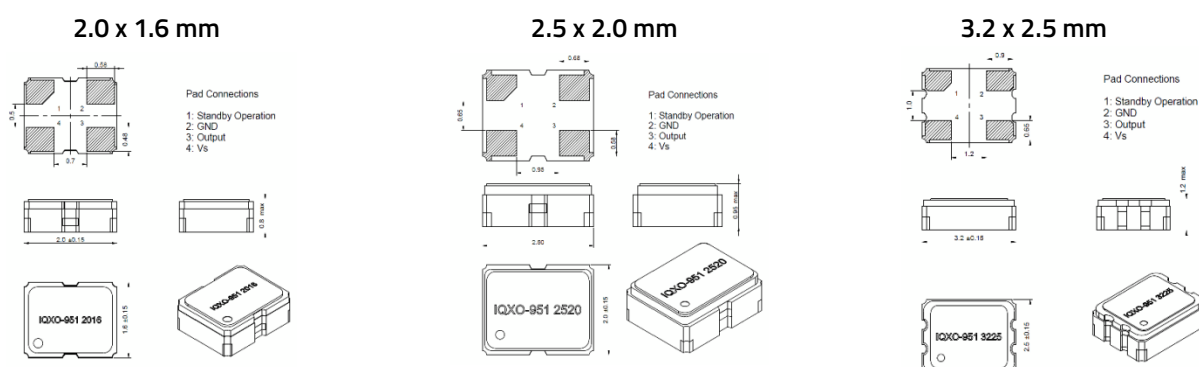
### Specification

- 2.0 x 1.6 mm
- 2.5 x 2.0 mm or
- 3.2 x 2.5 mm SMD package size
- Frequency range: 1 to 50 MHz
- ±25 ppm over -40 to 85 °C
- ±50 ppm over -40 to 125 °C
- 1.62 V to 3.63 V variable
- CMOS output
- \*Please contact IQD

### Applications

Ideal for IoT, and low power and portable industrial and consumer applications

### Outline (mm)



### Stock parts available:

Model	Part Number	Package Size	Output	Frequency	Stability	Operating Temp. Range	Voltage
IQXO-951 2016	LFSPXO083830	2.0 x 1.6 x 0.95 mm	CMOS	24.0 MHz	±25 ppm	-40 to 85 °C	1.62 V to 3.63 V
IQXO-951 2016	LFSPXO083832	2.0 x 1.6 x 0.95 mm	CMOS	25.0 MHz	±25 ppm	-40 to 85 °C	1.62 V to 3.63 V
IQXO-951 2520	LFSPXO083824	2.0 x 1.6 x 0.95 mm	CMOS	16.0 MHz	±25 ppm	-40 to 85 °C	1.62 V to 3.63 V
IQXO-951 2520	LFSPXO083826	2.0 x 1.6 x 0.95 mm	CMOS	25.0 MHz	±25 ppm	-40 to 85 °C	1.62 V to 3.63 V
IQXO-951 2520	LFSPXO083828	2.0 x 1.6 x 0.95 mm	CMOS	50.0 MHz	±25 ppm	-40 to 85 °C	1.62 V to 3.63 V
IQXO-951 3225	LFSPXO083813	3.2 x 2.5 x 1.2 mm	CMOS	12.0 MHz	±25 ppm	-40 to 85 °C	1.62 V to 3.63 V
IQXO-951 3225	LFSPXO083815	3.2 x 2.5 x 1.2 mm	CMOS	16.0 MHz	±25 ppm	-40 to 85 °C	1.62 V to 3.63 V
IQXO-951 3225	LFSPXO083818	3.2 x 2.5 x 1.2 mm	CMOS	24.0 MHz	±25 ppm	-40 to 85 °C	1.62 V to 3.63 V
IQXO-951 3225	LFSPXO083820	3.2 x 2.5 x 1.2 mm	CMOS	25.0 MHz	±25 ppm	-40 to 85 °C	1.62 V to 3.63 V
IQXO-951 3225	LFSPXO083822	3.2 x 2.5 x 1.2 mm	CMOS	50.0 MHz	±25 ppm	-40 to 85 °C	1.62 V to 3.63 V

For other specifications, please contact IQD.