

## Ultra Miniature LVDS/LVPECL Oscillators

**IQXO-406**

**IQXO-439**



### Key Features

Small package of 2.0 x 1.6 mm

Frequency range from 50 MHz to 250 MHz

## Ultra-Miniature LVDS/LVPECL Oscillators

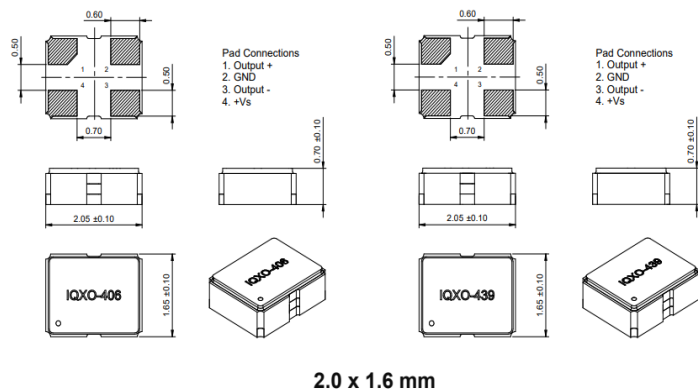
Today the demand for smaller, higher performance and more reliable electronic solutions is ever-growing. This is driving frequency product manufacturers to produce even smaller, higher frequency devices to reach design goals and support downsizing PCBs.

IQD is pleased to launch its newest LVDS / LVPECL clock oscillators, the IQXO-406 & IQXO-439, housed in a ultra-miniature 2.0 x 1.6 mm package. Available in a frequency range from 50 MHz to 250 MHz the new clock oscillators provide both miniaturization and higher speed operation in one complete device.

### Specification

- 2.0 x 1.6 mm SMD package size
  - Frequency range: 50 to 250 MHz
  - ±50 ppm over -40 to 85 °C
  - 2.5 V to 3.3 V supply voltage
  - LVDS and LVPECL output
- \*Please contact IQD

### Outline (mm)



### Applications

Ideal for but not limited to:

- IoT
- 5G and telecommunications applications
- Consumer applications
- Low power and portable industrial application

### Parts available\*:

Model	Part Number	Package Size	Output	Frequency	Stability	Operating Temp. Range	Voltage
IQXO-406-25	LFSPX0084264	2.0 x 1.6 x 0.8 mm	LVDS	50 MHz	±50 ppm	-40 to 85 °C	2.5 V
IQXO-406-25	LFSPX0084265	2.0 x 1.6 x 0.8 mm	LVDS	52 MHz	±50 ppm	-40 to 85 °C	2.5 V
IQXO-406-25	LFSPX0084266	2.0 x 1.6 x 0.8 mm	LVDS	156.25 MHz	±50 ppm	-40 to 85 °C	2.5 V
IQXO-406-25	LFSPX0084267	2.0 x 1.6 x 0.8 mm	LVDS	200 MHz	±50 ppm	-40 to 85 °C	2.5 V
IQXO-406-25	LFSPX0084268	2.0 x 1.6 x 0.8 mm	LVDS	125 MHz	±50 ppm	-40 to 85 °C	2.5 V
IQXO-406-33	LFSPX0084269	2.0 x 1.6 x 0.8 mm	LVDS	50 MHz	±50 ppm	-40 to 85 °C	3.3 V
IQXO-406-33	LFSPX0084270	2.0 x 1.6 x 0.8 mm	LVDS	52 MHz	±50 ppm	-40 to 85 °C	3.3 V
IQXO-406-33	LFSPX0084271	2.0 x 1.6 x 0.8 mm	LVDS	156.25 MHz	±50 ppm	-40 to 85 °C	3.3 V
IQXO-406-33	LFSPX0084272	2.0 x 1.6 x 0.8 mm	LVDS	200 MHz	±50 ppm	-40 to 85 °C	3.3 V
IQXO-406-33	LFSPX0084273	2.0 x 1.6 x 0.8 mm	LVDS	125 MHz	±50 ppm	-40 to 85 °C	3.3 V
IQXO-439-25	LFSPX0084274	2.0 x 1.6 x 0.8 mm	LVPECL	50 MHz	±50 ppm	-40 to 85 °C	2.5 V
IQXO-439-25	LFSPX0084275	2.0 x 1.6 x 0.8 mm	LVPECL	52 MHz	±50 ppm	-40 to 85 °C	2.5 V
IQXO-439-25	LFSPX0084276	2.0 x 1.6 x 0.8 mm	LVPECL	156.25 MHz	±50 ppm	-40 to 85 °C	2.5 V
IQXO-439-25	LFSPX0084277	2.0 x 1.6 x 0.8 mm	LVPECL	200 MHz	±50 ppm	-40 to 85 °C	2.5 V
IQXO-439-25	LFSPX0084278	2.0 x 1.6 x 0.8 mm	LVPECL	125 MHz	±50 ppm	-40 to 85 °C	2.5 V
IQXO-439-33	LFSPX0084279	2.0 x 1.6 x 0.8 mm	LVPECL	50 MHz	±50 ppm	-40 to 85 °C	3.3 V
IQXO-439-33	LFSPX0084280	2.0 x 1.6 x 0.8 mm	LVPECL	52 MHz	±50 ppm	-40 to 85 °C	3.3 V
IQXO-439-33	LFSPX0084281	2.0 x 1.6 x 0.8 mm	LVPECL	156.25 MHz	±50 ppm	-40 to 85 °C	3.3 V
IQXO-439-33	LFSPX0084282	2.0 x 1.6 x 0.8 mm	LVPECL	200 MHz	±50 ppm	-40 to 85 °C	3.3 V
IQXO-439-33	LFSPX0084283	2.0 x 1.6 x 0.8 mm	LVPECL	125 MHz	±50 ppm	-40 to 85 °C	3.3 V

\*Please note IQD stock 125 MHz, 156.25 MHz & 200 MHz at 3.3 V.