

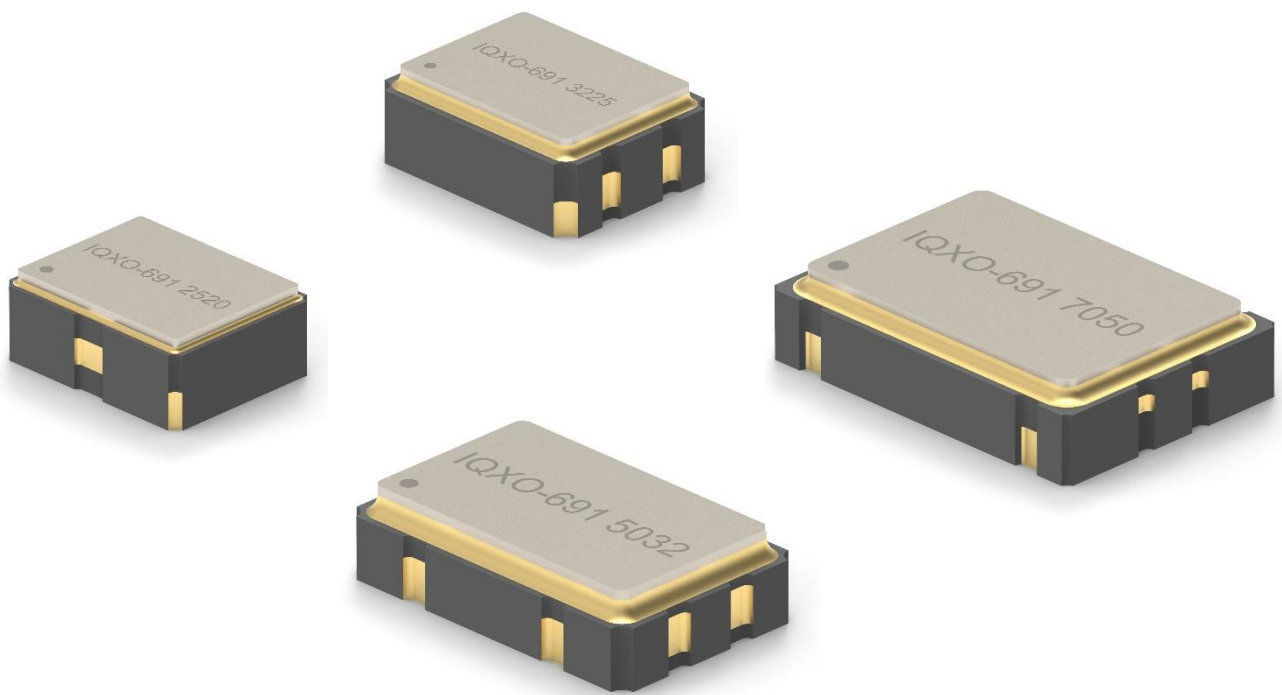
## Low Voltage Oscillators

**IQXO-691 2520**

**IQXO-691 3225**

**IQXO-691 5032**

**IQXO-691 7050**



### Key Features

Low supply voltages of 0.9 V, 1.2 V & 1.5 V

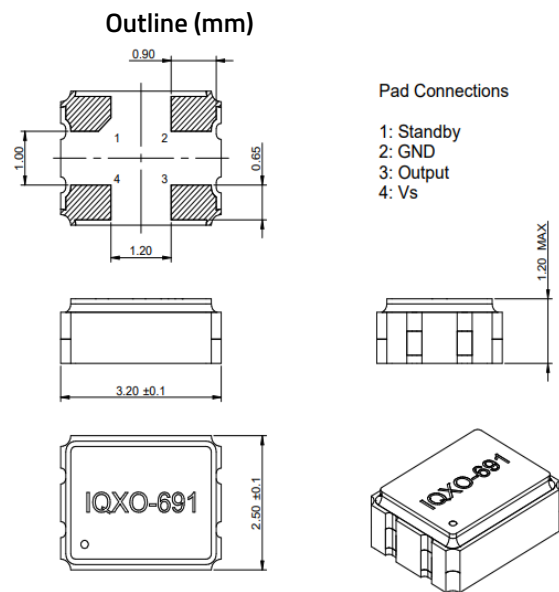
Stability down to  $\pm 20$  ppm

## Low Voltage Oscillators

Today, billions of electronic devices are developed to suit consumer needs. As technology evolves, devices need to run at lower and lower voltages and this means that systems may need to have multiple supply rails. Because of this IQD have produced a range of frequency products that run at low voltages, giving a system designer the opportunity to develop systems that have a common supply rail. This approach produces reliable PCBAs that support PCB downsizing by reducing component count whilst realizing design goals.

IQD's low voltage CMOS clock oscillators are available at JEDEC standard voltage levels for CMOS devices of 0.9 V, 1.2 V and 1.5 V.

- **Specification** Package sizes (SMD):
  - 2.5 x 2.0 mm
  - 3.2 x 2.5 mm
  - 5.0 x 3.2 mm
  - 7.0 x 5.0 mm
- Frequency range: 10 to 50 MHz
- $\pm 20$  ppm over 0 to 70°C
- $\pm 20$  ppm over -20 to 70 °C
- $\pm 25$  ppm over -40 to 85 °C
- 0.9 V, 1.2 V & 1.5 V supply voltage
- CMOS output



### Applications

Ideal for use in designs where improved battery life is critical, including;

- Body cameras for security services
- Digital cameras
- Personal Navigation Devices (PND)
- Portable audio devices
- Portable test equipment
- USB Interface
- WLAN
- Wearable applications

**Stock parts available:**

Model	Part Number	Package Size	Output	Frequency	Stability	Operating Temp. Range	Voltage
IQXO-691 2520-09	LFSPX0076039Cutt	2.5 x 2.0 x 1.0 mm	CMOS	24 MHz	±50 ppm	-40 to 85 °C	0.9 V
IQXO-691 2520-09	LFSPX0076040Cutt	2.5 x 2.0 x 1.0 mm	CMOS	25 MHz	±50 ppm	-40 to 85 °C	0.9 V
IQXO-691 2520-09	LFSPX0076041Cutt	2.5 x 2.0 x 1.0 mm	CMOS	26 MHz	±50 ppm	-40 to 85 °C	0.9 V
IQXO-691 2520-09	LFSPX0076042Cutt	2.5 x 2.0 x 1.0 mm	CMOS	27 MHz	±50 ppm	-40 to 85 °C	0.9 V
IQXO-691 2520-09	LFSPX0076043Cutt	2.5 x 2.0 x 1.0 mm	CMOS	40 MHz	±50 ppm	-40 to 85 °C	0.9 V
IQXO-691 2520-12	LFSPX0076033Cutt	2.5 x 2.0 x 1.0 mm	CMOS	24 MHz	±50 ppm	-40 to 85 °C	1.2 V
IQXO-691 2520-12	LFSPX0076034Cutt	2.5 x 2.0 x 1.0 mm	CMOS	25 MHz	±50 ppm	-40 to 85 °C	1.2 V
IQXO-691 2520-12	LFSPX0076035Cutt	2.5 x 2.0 x 1.0 mm	CMOS	26 MHz	±50 ppm	-40 to 85 °C	1.2 V
IQXO-691 2520-12	LFSPX0076037Cutt	2.5 x 2.0 x 1.0 mm	CMOS	27 MHz	±50 ppm	-40 to 85 °C	1.2 V
IQXO-691 2520-12	LFSPX0076038Cutt	2.5 x 2.0 x 1.0 mm	CMOS	40 MHz	±50 ppm	-40 to 85 °C	1.2 V
IQXO-691 3225-09	LFSPX0076028Cutt	3.2 x 2.5 x 1.2 mm	CMOS	24 MHz	±50 ppm	-40 to 85 °C	0.9 V
IQXO-691 3225-09	LFSPX0076029Cutt	3.2 x 2.5 x 1.2 mm	CMOS	25 MHz	±50 ppm	-40 to 85 °C	0.9 V
IQXO-691 3225-09	LFSPX0076030Cutt	3.2 x 2.5 x 1.2 mm	CMOS	26 MHz	±50 ppm	-40 to 85 °C	0.9 V
IQXO-691 3225-09	LFSPX0076031Cutt	3.2 x 2.5 x 1.2 mm	CMOS	27 MHz	±50 ppm	-40 to 85 °C	0.9 V
IQXO-691 3225-09	LFSPX0076032Cutt	3.2 x 2.5 x 1.2 mm	CMOS	40 MHz	±50 ppm	-40 to 85 °C	0.9 V
IQXO-691 3225-12	LFSPX0076023Cutt	3.2 x 2.5 x 1.2 mm	CMOS	24 MHz	±50 ppm	-40 to 85 °C	1.2 V
IQXO-691 3225-12	LFSPX0076024Cutt	3.2 x 2.5 x 1.2 mm	CMOS	25 MHz	±50 ppm	-40 to 85 °C	1.2 V
IQXO-691 3225-12	LFSPX0076025Cutt	3.2 x 2.5 x 1.2 mm	CMOS	26 MHz	±50 ppm	-40 to 85 °C	1.2 V
IQXO-691 3225-12	LFSPX0076026Cutt	3.2 x 2.5 x 1.2 mm	CMOS	27 MHz	±50 ppm	-40 to 85 °C	1.2 V
IQXO-691 3225-12	LFSPX0076027Cutt	3.2 x 2.5 x 1.2 mm	CMOS	40 MHz	±50 ppm	-40 to 85 °C	1.2 V

**For other specifications, please contact IQD.**